

# Coating Machine



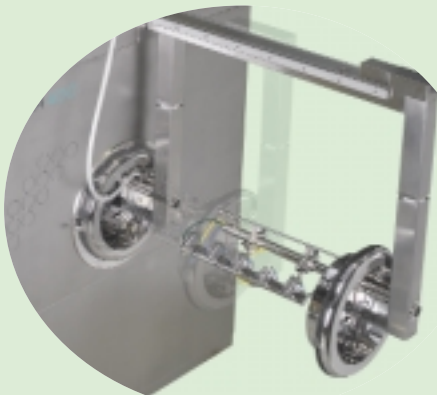
## TechniCota side vented drum

The **TechniCota** range offers highly cost effective methods for film and sugar coating of solid dosage products, with payloads of up to 350 kg, in excess of 500 litres. Utilising industry standard, fully perforated drum design, the machines signal a new era in the choice of coating machines.

Made from high quality machined and fabricated stainless steel to cGMP requirements. All fabricated parts are cut using the latest CNC laser cutting and forming machines to ensure optimum accuracy.

**TechniCota** operators are constantly confirming the fact that the machines run more quietly than most, instantly improving working conditions. The TechniCota is supplied complete with ploughshare baffles that provide gentle, yet effective mixing for both film and sugar coating processes.

As our drums are manufactured in-house we can easily supply drums of different sizes to accommodate various payloads depending on requirements.



## Retractable arm

The **TechniCota** has an integral retractable door arm assembly, which can be supplied with a sample door or sample thief system, to reduce operator exposure to the product.

## Quality

As part of standard quality control procedures the **TechniCota** range is tested prior to delivery using FAT (Factory Acceptance Test) protocols, along with SAT (Site Acceptance Test) once delivery and installation is complete. Customers are always welcome to visit the CSI premises to witness the FAT test themselves.

## Validation

Documentation available includes:

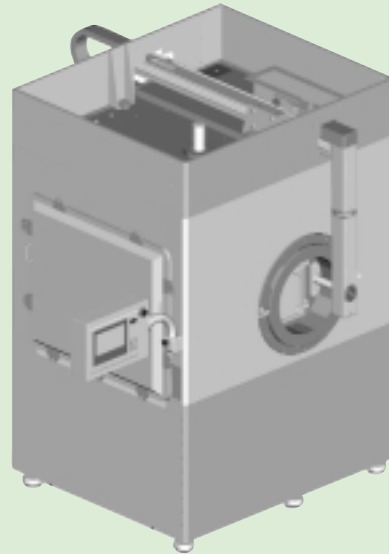
- Factory Acceptance Test and Site Acceptance Test (FAT & SAT)
- Quality Plan (QP)
- Validation Plan (VP)
- Functional Design Specification (FDS)
- Installation Qualification and Operational Qualification (IQ & OQ)
- Hardware Design Specification (HDS)
- Software Design Specification (SDS)
- Software Listings



## Drum

At the heart of the TechniCota is a fully perforated drum, sometimes referred to as the pan. This is manufactured from a mesh with 3mm holes and has a 51% open area for maximum drying efficiency.

Completely constructed from 316L stainless steel it offers the best conditions for film or sugar coating.



## Spare Parts

A wide range of very competitively priced spare parts, are available for all your coating needs. Including, spare parts for nozzles, using aqueous and organic solvents. A current price list is available from our web site at [www.coatingsystems.co.uk](http://www.coatingsystems.co.uk)

### Technicota specification

		200	400
Height	mm	2420	2545
Width	mm	1610	2210
Depth	mm	1370	1785
Weight	kg	1200	1700
All Metal Product Contact Parts	Grade	AISI 316L	
Non Product Contact Parts	Grade	AISI 304	
Drum Diameter	mm	1219	1524
	inch	48	60
Working Volume of Drum	Litres	235	540
Mesh Perforated Hole Size	mm	3	3
Mixing Baffles	Qty	4	6
Drum Speed Range (inverter controlled)	rpm	2-10	2-10
Nominal Weight @ Drum Periphery	kg	150	350

